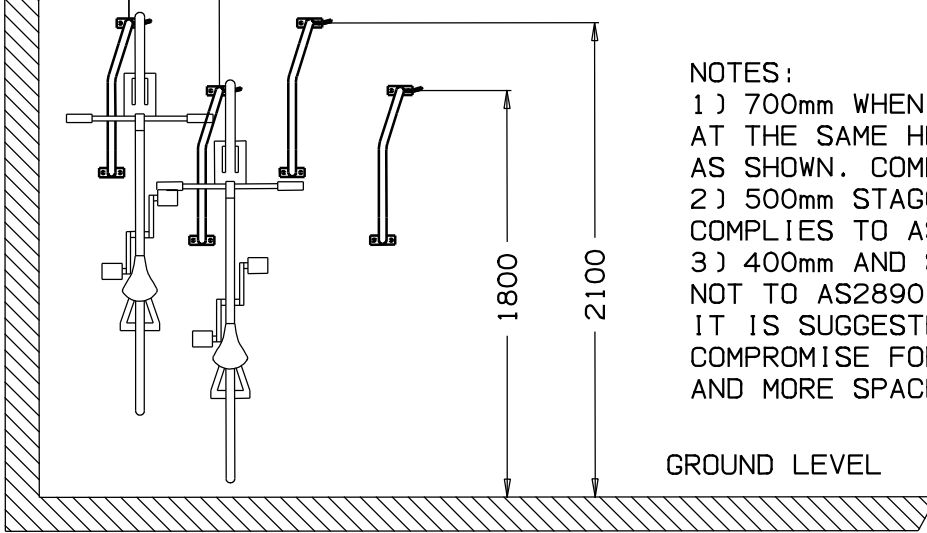


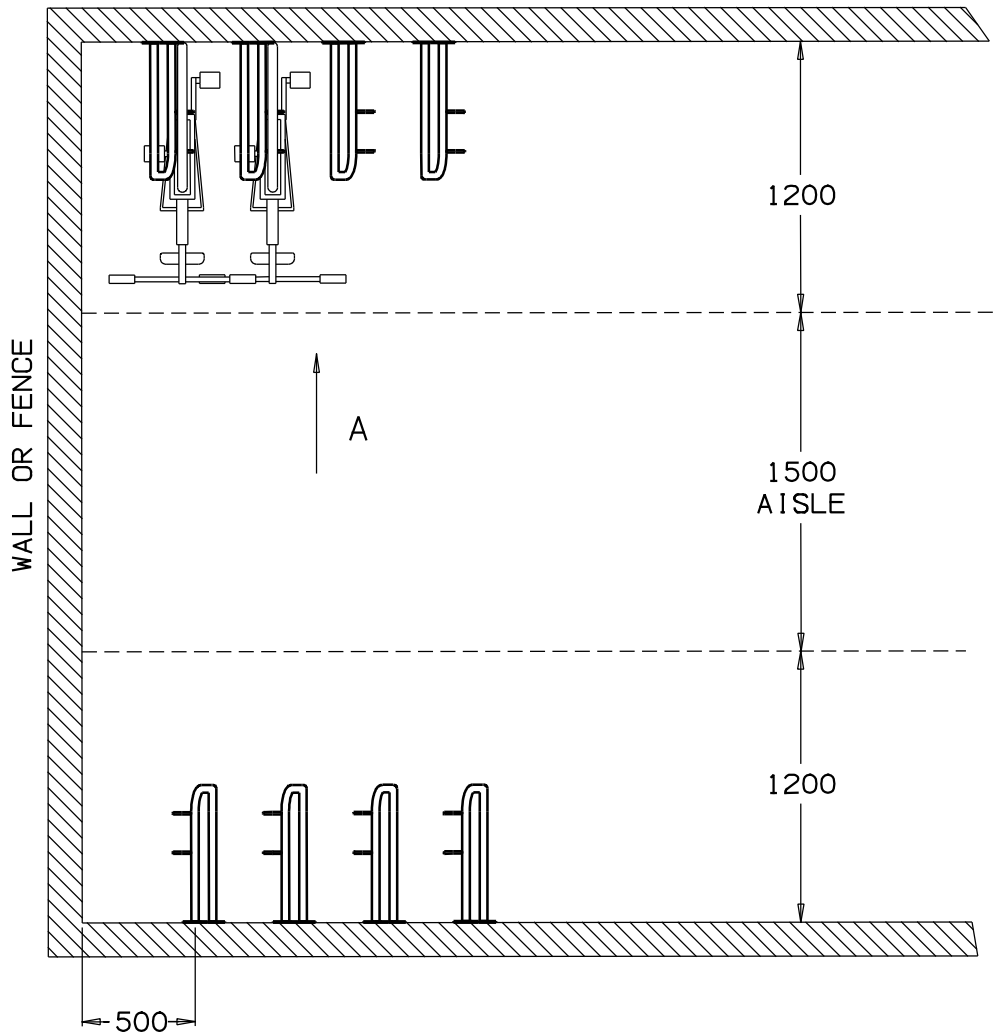
400 RAIL SPACING OPTIONS 'S' : 1) 700, 2) 500, 3) 400
(REFER TO NOTES)



NOTES:
 1) 700mm WHEN RAILS ARE INSTALLED AT THE SAME HEIGHT AND NOT STAGGERED AS SHOWN. COMPLIES TO AS2890.3:2015
 2) 500mm STAGGERED HEIGHT AS SHOWN COMPLIES TO AS2890.3:2015
 3) 400mm AND STAGGERED HEIGHT BUT IS NOT TO AS2890.3:2015
 IT IS SUGGESTED MINIMUM FOR BEST COMPROMISE FOR PRACTICAL EASE OF USE AND MORE SPACE EFFICIENCY. AS DRAWN.

GROUND LEVEL

VIEW FROM A



WALL OR FENCE

A

1200

1500 AISLE

1200

500



ARROW-ALPHA INDUSTRIES

ABN: 88 874 164 414

TELEPHONE: 02 9737 0022

(c) COPYRIGHT THIS DOCUMENT IS OWNED BY, AND THE INFORMATION CONTAINED IN IT IS PROPRIETARY TO ARROW-ALPHA INDUSTRIES. BY RECEIPT HEREOF THE HOLDER AGREES NOT TO USE THE INFORMATION, DISCLOSE IT TO ANY THIRD PARTY, NOR REPRODUCE THIS DOCUMENT WITHOUT THE PRIOR WRITTEN CONSENT OF ARROW-ALPHA INDUSTRIES, AND AGREES TO RETURN THIS DOCUMENT FORTHWITH UPON REQUEST.

TITLE

BICYCLE PARKING PLAN

SINGLE VERTICAL HANGING RAILS

SCALE: 1:35

NUMBER

BY: PW

2012/04/26

REV 2 2015/11/30